

Product Range

- Easy and fast assembly
- Excellent tolerance to shaft behaviors
- Minimal space requirements
- Unrivaled service life
- Low maintenance
- Self-alignment capacity
- Short replacement duration
- Optimized customer follow-up

Options and Services

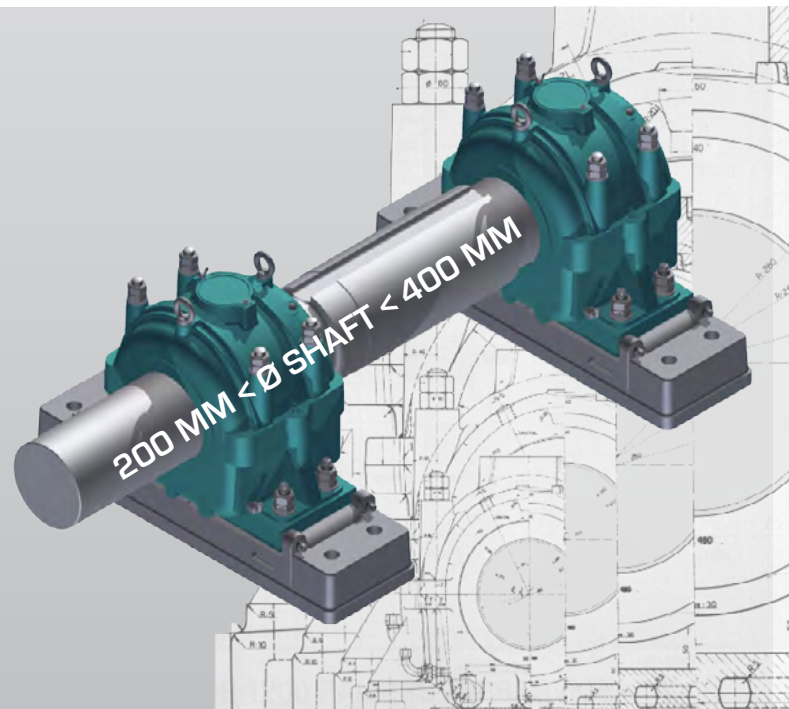
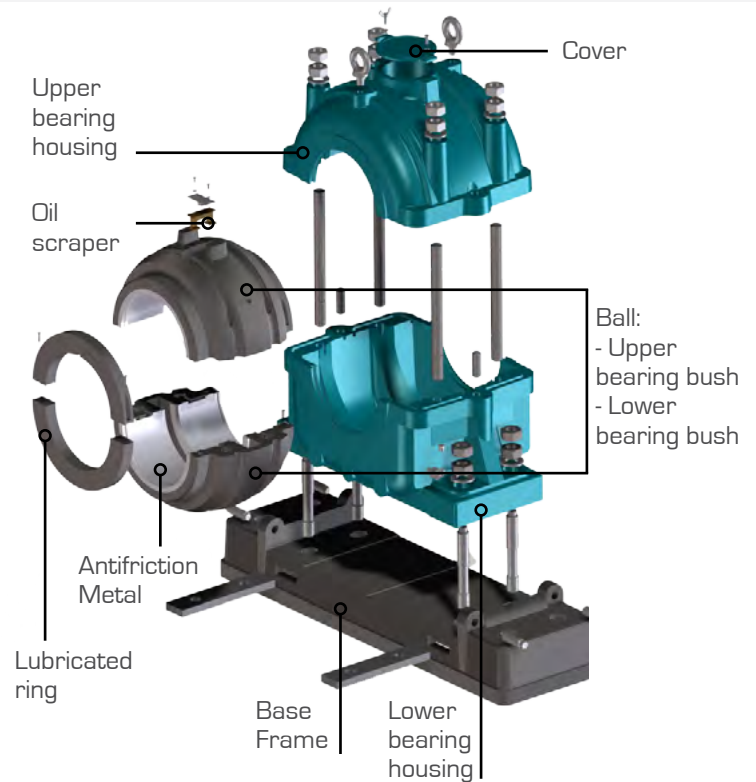
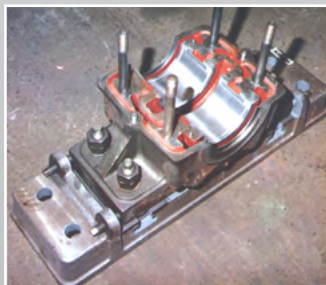
- Additional water cooling
- Forced lubrication
- Adapted pinion shaft
- Temperature gauge
- Shaft en covers
- Base plates



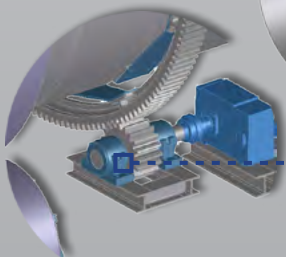
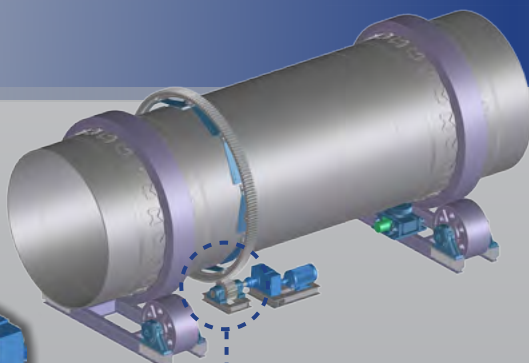
Documentation

ALC provides customer with documentation for:

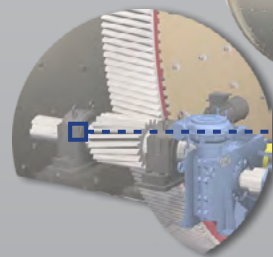
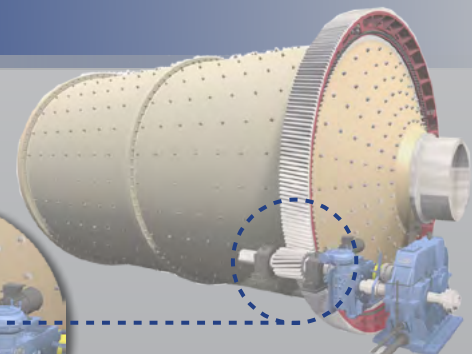
- Maintenance
- Assembly and lubrication



Kiln Bearings



Mill Bearings

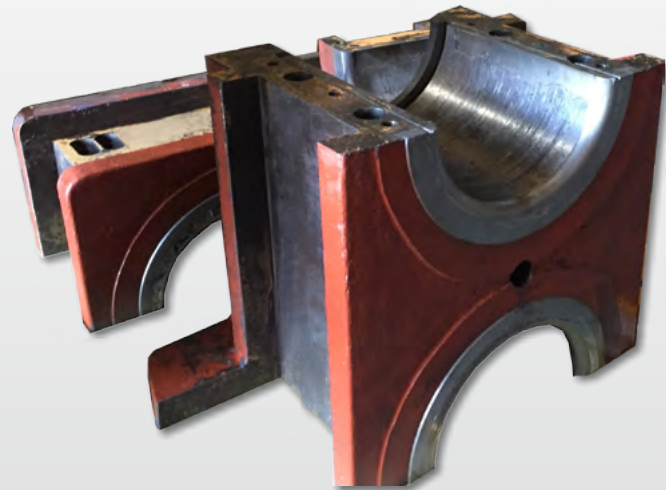


VERTICAL LATHE OF 8000 MM DIAMETER CAPACITY



UP TO 600 KG OF BABBITT CASTING ONE SHOT

SUPPORT BEARING BUSH



CHOCKS SET

- Refurbishing or refilling of anti-friction materials
- Repair in our workshop or on site

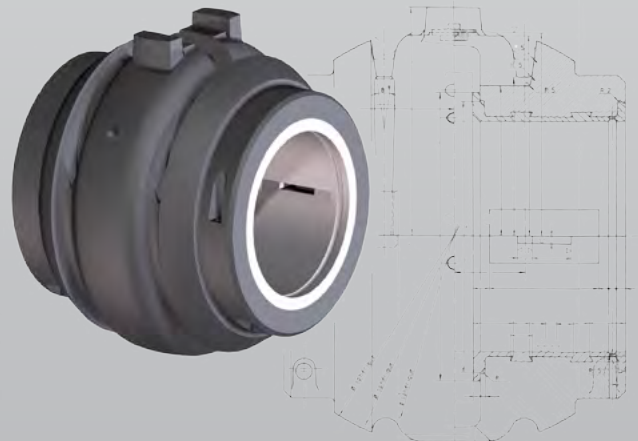
ALC is able to revamp wide range of mechanical parts. When surfaces are heavily damaged, we can renew it by using strip cladding (SAW or ESW process).



Strip cladding process



Hydrostatic pad



Thanks to our efficient methods, ALC Tournai guarantees optimized manufacturing of customized solutions according to client drawings and specifications.



ALC specializes in the redesign and improvement of drive and slide shoe bearings.

ALC owns many patterns and has extensive references of drive and trunnion bearings.